

Durbin Model "V" Control Valves

Description

Features:

Maximum Pressure:
250 PSI

Maximum Temperature:
450° F (232° C)

Port Sizes:
1/2" NPT
3/4" NPT
1" NPT

Cv Ratings:
6.5
11.0
15.0



The Model "V" is a soft-seated, positive shut off, control valve used in areas where precise pressure and temperature control is needed.

The highest quality material was selected to manufacture the Model "V". The body is constructed from a cast 17-4 stainless steel for strength. The disc, seat and stem are also made from 17-4 stainless steel to increase the durability of the valve. The disc is also combined with a replaceable soft seat seal to assure a positive shut off.

The Model "V" has a diaphragm operating range of 3 PSI to 15 PSI. The reverse acting (normally open) Model "V" requires air to close, while the direct acting (normally closed) model requires air to open.

DURBIN INDUSTRIAL VALVE, Inc.



The Most Innovative Valve Manufacturer in America

The Durbin Model "V" is a positive shutoff, soft seated control valve used in areas where precise pressure and temperature control is needed. The model "V" is a diaphragm operated pneumatic valve. It has a control region from 3-15 PSI (instrument air) The normally closed model requires air to open, while the normally open model requires air to close.

Maximum allowable pressures vary according to valve selection. (See allowable pressure charts below).

Maximum allowable temperature for all versions of the Model "V" is 450° F.

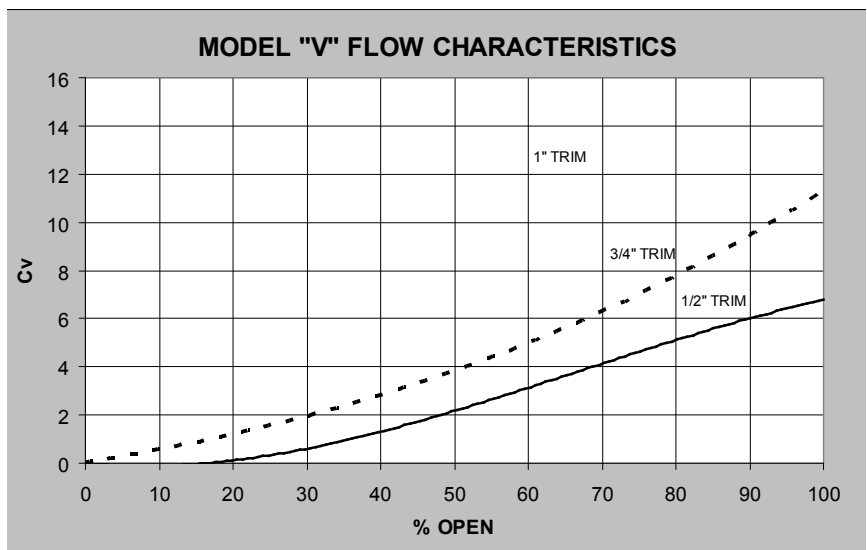
The Model "V" is primarily constructed of stainless steel components. The body and trim are constructed out of 17-4 ph stainless steel. The material selected for these two components has proven to be superior in overcoming the effects of corrosion, cavitation, and wiredraw. Most other cast components are constructed from 300 series stainless steel.

The specially designed seal for the Model "V" is constructed from a high strength, high temperature thermal plastic. It is soft enough to provide a positive shut off, but hard enough to withstand the harsh environment it will be used in. It has a special sealing edge that will allow creep over time, but will not leak.

The Model "V" is available on request in a fully stainless version for use in applications where only stainless construction is permitted. Use the following pages to make a selection as to which Model "V" suits your selection.

NORMALLY CLOSED				
VALVE NUMBER	BODY SIZE	TRIM SIZE	PORT SIZE	TOP SIZE
D354-40061	1/2"	1/2"	1/2" NPT	1
D354-40071	1/2"	1/2"	1/2" NPT	2
D354-40561	1/2"	1/2"	3/4" NPT	1
D354-50071	3/4"	3/4"	3/4" NPT	2
D354-50671	3/4"	3/4"	1" NPT	2
D354-51671	3/4"	1"	1" NPT	2
D354-51771	3/4"	1"	1-1/4" NPT	2
D358-50071	3/4"	3/4"	3/4" NPT	2H
D358-51671	3/4"	1"	1" NPT	2H
D358-51771	3/4"	1"	1-1/4" NPT	2H

NORMALLY OPEN				
VALVE NUMBER	BODY SIZE	TRIM SIZE	PORT SIZE	TOP SIZE
D364-40061	1/2"	1/2"	1/2" NPT	1
D364-40071	1/2"	1/2"	1/2" NPT	2
D364-40561	1/2"	1/2"	3/4" NPT	1
D364-50071	3/4"	3/4"	3/4" NPT	2
D364-50671	3/4"	3/4"	1" NPT	2
D364-51671	3/4"	1"	1" NPT	2
D364-51771	3/4"	1"	1-1/4" NPT	2



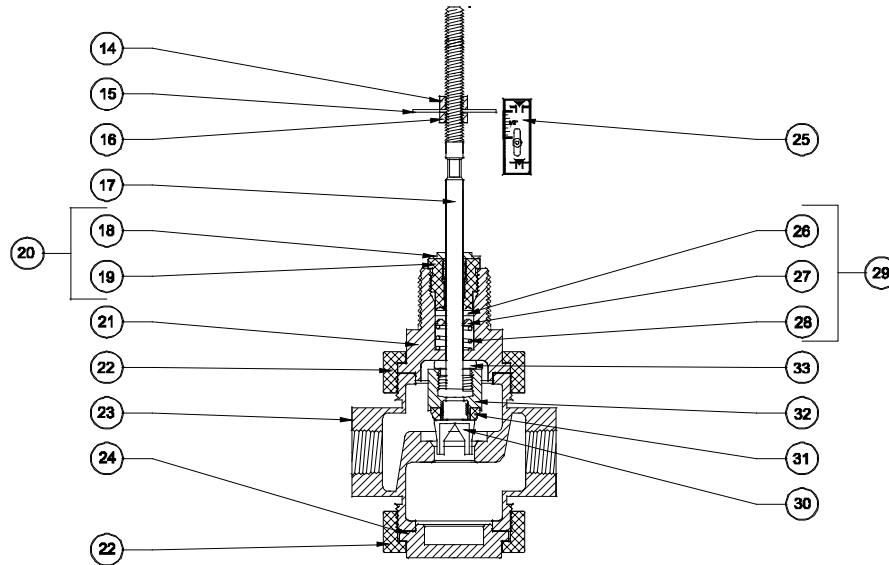
1062 Triplett Boulevard
Akron, OH 44306
U.S.A.

E-Mail: valve@durbinvalve.com
Tel: +1.330.724.9968
Fax: +1.330.724.9975

DURBIN INDUSTRIAL VALVE, Inc.



The Most Innovative Valve Manufacturer in America



VALVE MODEL NUMBER NORMALLY OPEN SERIES, LOWER ASSEMBLY

ITEM	DESCRIPTION	D364-40061	D364-40071	D364-40561	D364-50071	D364-50671	D364-51671	D364-51771
14	UPPER LOCK NUT	C133-005D	C133-005D	C133-005D	C133-005D	C133-005D	C133-005D	C133-005D
15	INDICATOR WASHER	C593-011D	C593-011D	C593-011D	C593-011D	C593-011D	C593-011D	C593-011D
16	LOWER LOCK NUT	C133-008D	C133-008D	C133-008D	C133-008D	C133-008D	C133-008D	C133-008D
17	N/O STEM	C853-090D	C853-090D	C853-090D	C853-090D	C853-090D	C853-090D	C853-090D
18	PACKING NUT BUSHING	VP524	VP524	VP524	VP524	VP524	VP524	VP524
19	PACKING NUT	C853-092D	C853-092D	C853-092D	C853-092D	C853-092D	C853-092D	C853-092D
20	PACKING NUT ASSY.	C853-090D	C853-090D	C853-090D	C853-090D	C853-090D	C853-090D	C853-090D
21	PACKING GLAND	C113-058D	C113-058D	C113-058D	C113-059D	C113-059D	C113-057D	C113-057D
22	UNION NUT (x2)	C663-022D	C663-022D	C663-022D	C663-026D	C663-026D	C663-026D	C663-026D
23	BODY W/ INTEGRAL SEAT	VP400	VP400	VP401	VP505	VP508	VP506	VP507
24	BOTTOM CAP	C213-016D	C213-016D	C213-016D	C213-020D	C213-020D	C213-020D	C213-020D
25	N/O INDICATOR TAG	C008D	C008D	C008D	C010D	C010D	C010D	C010D
26	PACKERS (x3)	C683-069D	C683-069D	C683-069D	C683-069D	C683-069D	C683-069D	C683-069D
27	PACKING SPREADER	C713-012D	C713-012D	C713-012D	C713-012D	C713-012D	C713-012D	C713-012D
28	PACKING SPRING	D293-104D	D293-104D	D293-104D	D293-104D	D293-104D	D293-104D	D293-104D
29	PACKING KIT	C242-015D	C242-015D	C242-015D	C242-015D	C242-015D	C242-015D	C242-015D
30	LOWER DISC	C553-007D	C553-007D	C553-007D	C343-023D	C343-023D	C343-025D	C343-025D
31	SEAL	C343-12VP	C343-12VP	C343-12VP	C343-34VP	C343-34VP	C343-10VP	C343-10VP
32	UPPER DISC	C913-008D	C913-008D	C913-008D	C343-022D	C343-022D	C343-024D	C343-024D
33	DISC NUT	C553-008D	C553-008D	C553-008D	C553-008D	C553-008D	C553-008D	C553-008D

1062 Triplett Boulevard
Akron, OH 44306
U.S.A.

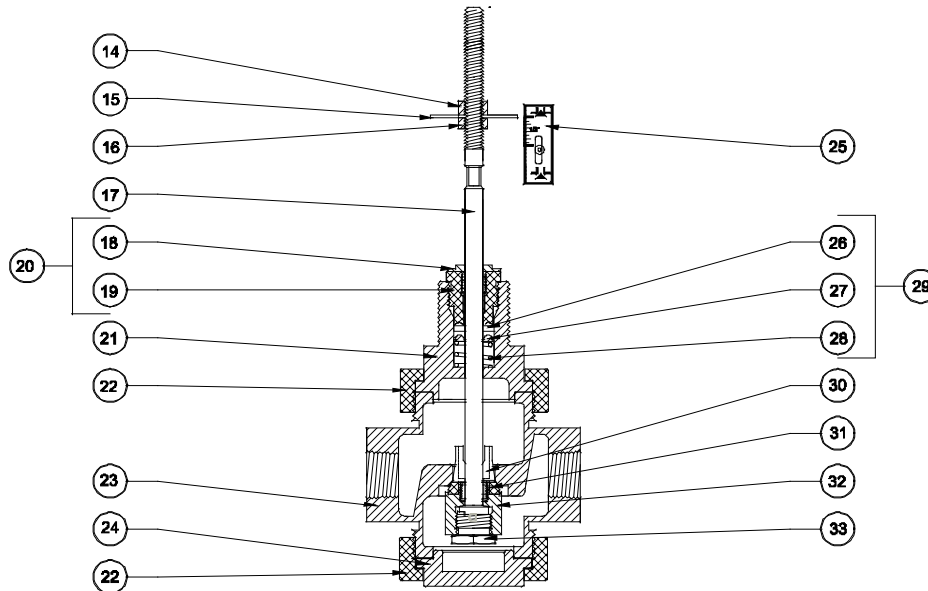
E-Mail: valve@durbinvalve.com
Tel: +1.330.724.9968
Fax: +1.330.724.9975

DURBIN

INDUSTRIAL VALVE, Inc.



The Most Innovative Valve Manufacturer in America



VALVE MODEL NUMBER NORMALLY CLOSED SERIES, LOWER ASSEMBLY

ITEM	DESCRIPTION	D354-40061	D354-40071	D354-40561	D354-50071	D354-50671	D354-51671	D354-51771	D358-50071	D358-51671	D358-51771
14	UPPER LOCK NUT	C133-005D	C133-008D	C133-005D	C133-005D	C133-005D	C133-005D	C133-005D	C133-005D	C133-005D	C133-005D
15	INDICATOR WASHER	C593-011D	C593-011D	C593-011D	C593-011D	C593-011D	C593-011D	C593-011D	C593-011D	C593-011D	C593-011D
16	LOWER LOCK NUT	C133-008D	C133-008D	C133-008D	C133-008D	C133-008D	C133-008D	C133-008D	C133-008D	C133-008D	C133-008D
17	N/C STEM	D093-019D	D093-019D	D093-019D	D093-019D	D093-019D	D093-019D	D093-019D	D093-019D	D093-019D	D093-019D
18	PACKING NUT BUSH.	VP524	VP524	VP524	VP524	VP524	VP524	VP524	VP524	VP524	VP524
19	PACKIN NUT	C853-092D	C853-092D	C853-092D	C853-092D	C853-092D	C853-092D	C853-092D	C853-092D	C853-092D	C853-092D
20	PACKING NUT ASSY.	C853-090D	C853-090D	C853-090D	C853-090D	C853-090D	C853-090D	C853-090D	C853-090D	C853-090D	C853-090D
21	PACKING GLAND	C113-058D	C113-058D	C113-058D	C113-059D	C113-059D	C113-059D	C113-059D	C113-059D	C113-059D	C113-059D
22	UNION NUT (X2)	C663-022D	C663-022D	C663-022D	C663-026D	C663-026D	C663-026D	C663-026D	C663-026D	C663-026D	C663-026D
23	BODY W/ INT.L SEAT	VP400	VP400	VP401	VP505	VP508	VP506	VP507	VP505	VP508	VP506
24	BOTTOM CAP	C213-016D	C213-016D	C213-016D	C213-020D	C213-020D	C213-028D	C213-028D	C213-020D	C213-028D	C213-028D
25	N/C INDICATOR TAG	C009D	C009D	C009D	C011D	C011D	C011D	C011D	C011D	C011D	C011D
26	PACKERS (X3)	C683-069D	C683-069D	C683-069D	C683-069D	C683-069D	C683-069D	C683-069D	C683-069D	C683-069D	C683-069D
27	PACKING SPREADER	C713-012D	C713-012D	C713-012D	C713-012D	C713-012D	C713-012D	C713-012D	C713-012D	C713-012D	C713-012D
28	PACKING SPRING	D293-104D	D293-104D	D293-104D	D293-104D	D293-104D	D293-104D	D293-104D	D293-104D	D293-104D	D293-104D
29	PACKING KIT	C242-015D	C242-015D	C242-015D	C242-015D	C242-015D	C242-015D	C242-015D	C242-015D	C242-015D	C242-015D
30	LOWER DISC	C913-009D	C913-009D	C913-009D	C343-021D	C343-021D	C343-029D	C343-029D	C343-021D	C343-029D	C343-029D
31	SEAL	C343-12VP	C343-12VP	C343-12VP	C343-34VP	C343-34VP	C343-10VP	C343-10VP	C343-34VP	C343-10VP	C343-10VP
32	UPPER DISC	C913-008D	C913-008D	C913-008D	C343-022D	C343-022D	C343-024D	C343-024D	C343-022D	C343-024D	C343-024D
33	DISC NUT	C913-010D	C913-010D	C913-010D	C913-010D	C913-010D	C913-010D	C913-010D	C913-010D	C913-010D	C913-010D

1062 Triplett Boulevard
Akron, OH 44306
U.S.A.

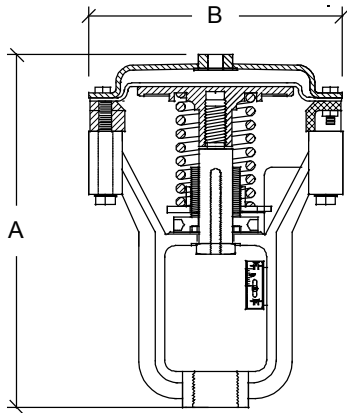
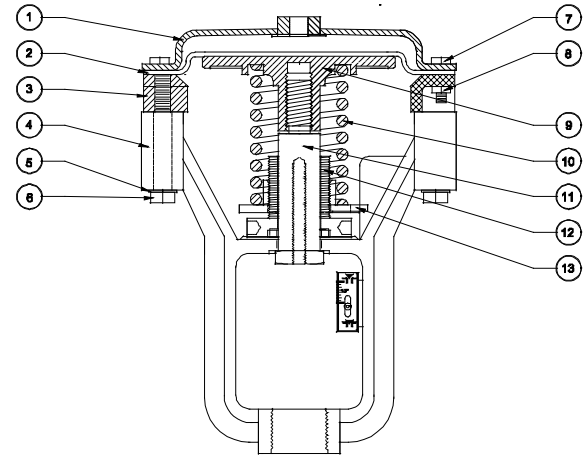
E-Mail: valve@durbinvalve.com
Tel: +1.330.724.9968
Fax: +1.330.724.9975

DURBIN INDUSTRIAL VALVE, Inc.



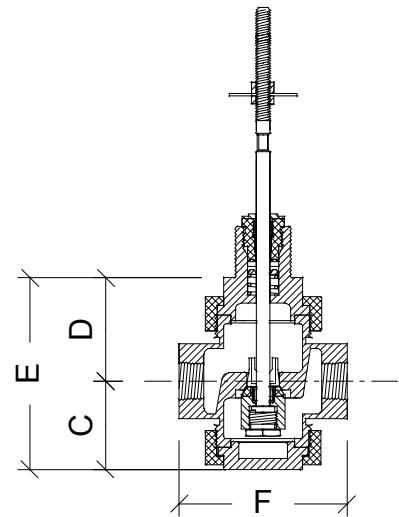
The Most Innovative Valve Manufacturer in America

ITEM	DESCRIPTION	TOP ASSEMBLY		
		#1 TOP	#2 TOP	#2 HEAVY
1	LID/COVER	C293-023D	C293-030D	C293-030D
2	DIAPHRAGM	C333-053D	C333-051D	C333-051D
3	RING	C893-014D	C893-022D	C893-022D
4	YOKE	D283-021D	D283-061D	D283-061D
5	LOCK WASHER	H175-21	H175-21	H175-21
6	YOKE HEX BOLT	H096-55D	H096-49	H096-49
7	LID HEX BOLT	H096-10	H096-10	H096-10
8	LID HEX NUT	H060-03	H060-03	H060-03
9	PISTON	C783-043D	C783-068D	C783-068D
10	DIAPHRAGM SPRING	NC	D293-070D	D293-072D
		NO	D293-069D	D293-071D
11	UPPER STEM	D143-025D	D143-025D	D143-027D
12	SPRING ADJUSTING SCREW	C543-001D	C543-001D	C543-001D
13	SPRING ADJUSTING NUT	C133-009D	C133-010D	C133-010D



DIM.	#1 TOP	#2 TOP	#2 TOP HEAVY
A	IN	10-3/8	9-5/8
	mm	264	245
B	IN	7-3/8	10-3/4
	mm	187	273

DIM.	1/2" BODY SIZE	3/4" BODY SIZE
C	IN	2
	mm	51
D	IN	2-1/4
	mm	57
E	IN	4-1/4
	mm	108
F	IN	3-3/4
	mm	95



TOP NO.	1	2	2H
TRIM SIZE			
1/2"	300 PSI	-	-
3/4"	-	250 PSI	-
1"	-	300 PSI	-

TOP NO.	1	2	2H
TRIM SIZE			
1/2"	250 PSI	250 PSI	-
3/4"	-	220 PSI	250 PSI
1"	-	150 PSI	250 PSI

1062 Triplett Boulevard
Akron, OH 44306
U.S.A.

E-Mail: valve@durbinvalve.com
Tel: +1.330.724.9968
Fax: +1.330.724.9975

DURBIN
INDUSTRIAL VALVE, Inc.



The Most Innovative Valve Manufacturer in America

WARNING

Overpressuring any portion of this valve may cause damage to the valve or cause personal injury.

Only a qualified person should install or service Durbin Model "V" valves.

DISCLAIMER:

Information may be updated or changed at any time and without notice and may contain technical inaccuracies and/or typographical errors. Durbin Industrial Valve, Inc. shall not in any event be liable for damages of any kind arising out of or in connection with the use of or reliance upon the information provided. ©2007 All Rights Reserved.

1062 Triplett Boulevard
Akron, OH 44306
U.S.A.

E-Mail: valve@durbinvalve.com
Tel: +1.330.724.9968
Fax: +1.330.724.9975